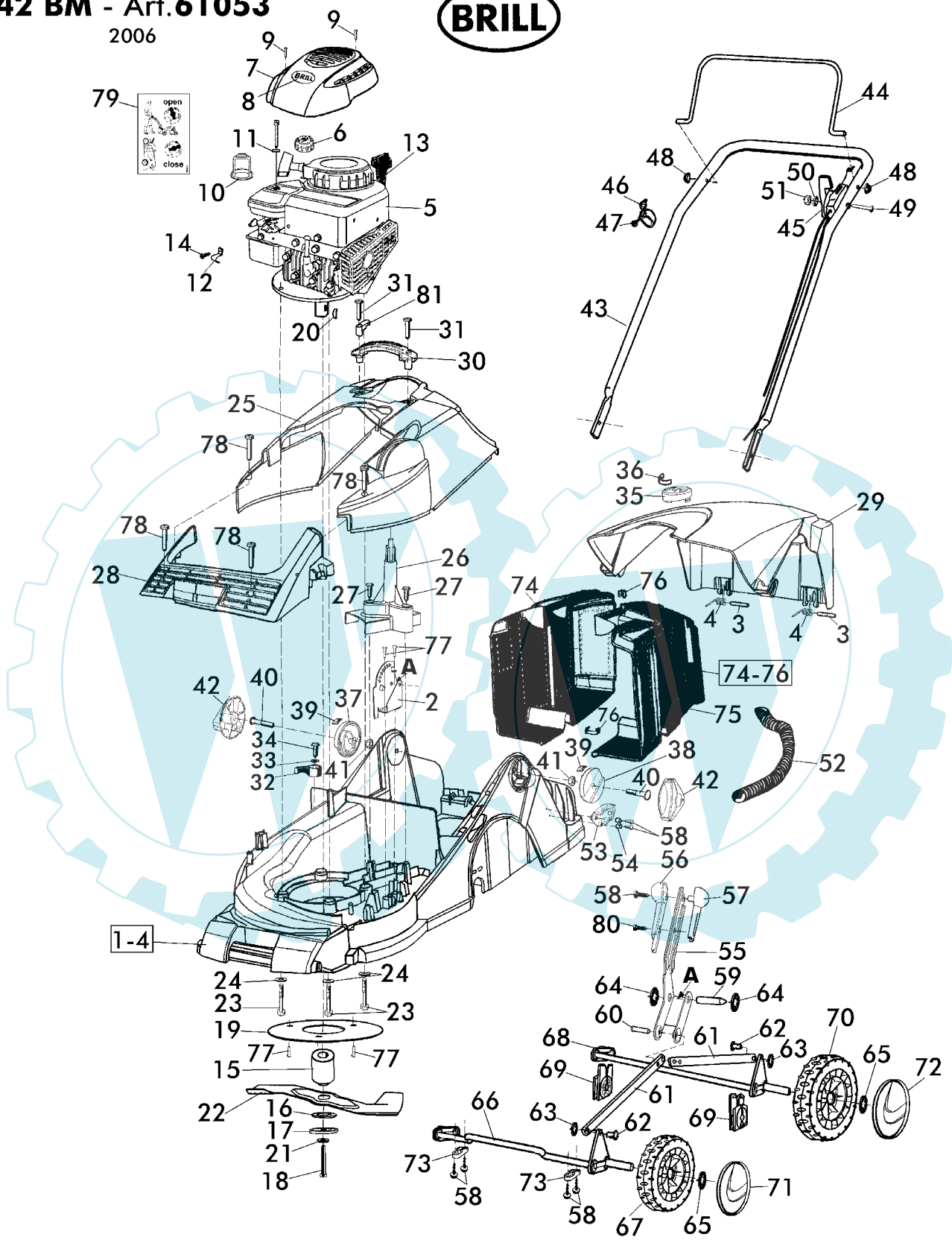


|           |                    |              |                            |
|-----------|--------------------|--------------|----------------------------|
| 1/3       | Benzin - EVOLUTION | <b>BRILL</b> | 42 BM - Art. 61053<br>2006 |
| 2006      | Petrol - EVOLUTION |              |                            |
| Rev070404 | EVOLUTION de gazon |              |                            |

**42 BM - Art.61053**  
2006



ZUB01

ZUB02

ZUB03

ZUB04

ZUB05

ZUB06 optional

| 2/3                          |                                      | Benzin - EVOLUTION                      |                                  |  | 42 BM - Art. 61053 |  |
|------------------------------|--------------------------------------|---|----------------------------------|--|--------------------|--|
| 2006                         |                                      | Petrol - EVOLUTION                      |                                  |  | 2006               |  |
| Rev070404                    |                                      | EVOLUTION de gazon                      |                                  |  |                    |  |
| Bild Nr.<br>REF.N°<br>POS.N° | BEST.-NR.<br>PART-N°.<br>N° d. PIECE | BEZEICHNUNG                             | DESCRIPTION                      | Anzahl<br>Qty.<br>Qte.   |                    |  |
| 1-4                          | 14892                                | Gehäuse 61053 kpl.                      | Chassis 61053 cpl.               | 1  |                    |  |
| 2                            | 14102                                | Lochplatte                              | Adjustment plate                 | 1  |                    |  |
| 3                            | 14103                                | Zylinderstift DIN 7 8m6x60              | Pin DIN 7 8m6x60                 | 1  |                    |  |
| 4                            | 14104                                | Schenkelfeder                           | Leg spring                       | 2  |                    |  |
| 5                            | 14897                                | B&S V-Motor XC 35 (09D902-2225)         | B&S V-Motor XC 35 (09D902-2225)  | 1  |                    |  |
| 6                            | 15038                                | EVO-Tankdeckel kpl.                     | EVO-Fuel cap assy. cpl.          | 1  |                    |  |
| 7                            | 14972                                | Motorhaube                              | Motor hood                       | 1  |                    |  |
| 8                            | 15043                                | Brill-Logo                              | Brill-Label                      | 1  |                    |  |
| 9                            | 13553                                | Schraube zum Motor 4,7x60               | Screw 4,7x60                     | 2  |                    |  |
| 10                           | 15077                                | Vergasereinsatz                         | Carburator insert                | 1  |                    |  |
| 11                           | 15090                                | O-Ring D=4,34x3                         | O-Ring 4,34x3                    | 1  |                    |  |
| 12                           | 15177                                | Gehäuseklemme 22                        | Casing clamp 22                  | 1  |                    |  |
| 13                           | 14962                                | Verlängertes Ölrohr                     | Oil tube lg.                     | 1  |                    |  |
| 14                           | 13232                                | Schraube M5x12                          | Screw M5x12                      | 1  |                    |  |
| 15                           | 14970                                | Messerflansch                           | Blade flange                     | 1  |                    |  |
| 16                           | 08740                                | Reibscheibe                             | Friction disk                    | 1  |                    |  |
| 17                           | 08654                                | Spannscheibe gepulvert                  | Tension washer                   | 1  |                    |  |
| 18                           | 10447                                | Skt-Schraube 3/8" -24UNF* 2 1/2" DIN933 | Screw 3/8" -24UNF* 2 1/2" DIN933 | 1  |                    |  |
| 19                           | 14943                                | Abdeckscheibe                           | Cover plate                      | 1  |                    |  |
| 20                           | 02713                                | Woodruff Keil 50                        | Woodruff key 50                  | 1  |                    |  |
| 21                           | 06460                                | Scheibe A10,5 DIN 125                   | Washer A10,5 DIN 125             | 1  |                    |  |
| 22                           | 61608                                | Messer 42 BM/BFR                        | Blade 42 BM/BFR                  | 1  |                    |  |
| 23                           | 14493                                | Motorschraube                           | Screw                            | 3  |                    |  |
| 24                           | 15004                                | Scheibe 10,5x4                          | Washer 10,5x4                    | 3  |                    |  |
| 25                           | 14887                                | Abdeckung                               | Chassis cover                    | 1  |                    |  |
| 26                           | 14889                                | Riemenabdeckung                         | Belt-cover                       | 1  |                    |  |
| 27                           | 14464                                | Lib-Schraube B6,3x32                    | Screw B6,3x32                    | 2  |                    |  |
| 28                           | 14888                                | Frontabdeckung                          | Front cover                      | 1  |                    |  |
| 29                           | 14063                                | Schwenklappe                            | Pan flap                         | 1  |                    |  |
| 30                           | 14022                                | Heckgriff                               | Rear grip                        | 1  |                    |  |
| 31                           | 14027                                | LIB-Schraube ISO7049-Torx5,5*38 C       | Screw ISO7049-Torx5,5*38 C       | 2  |                    |  |
| 32                           | 14739                                | Halteriegel                             | Lock lever                       | 1  |                    |  |
| 33                           | 14753                                | Scheibe M7                              | Washer M7                        | 1  |                    |  |
| 34                           | 08667                                | LIB-Schraube 6,3x19                     | Screw 6,3x19                     | 1  |                    |  |
| 35                           | 14130                                | Füllstandsanzeige kpl.                  | Lever indicator cpl.             | 1  |                    |  |
| 36                           | 14787                                | Aufkleber "FULL"                        | Label "FULL"                     | 1  |                    |  |
| 37                           | 14895                                | Höhenverstellscheibe Rechts             | Adjustment washer right          | 1  |                    |  |
| 38                           | 14896                                | Höhenverstellscheibe Links              | Adjustment washer left           | 1  |                    |  |
| 39                           | 15102                                | Aufkleber Höhenverstellung              | Label Height adjustment          | 2  |                    |  |
| 40                           | 14759                                | FR-Schraube DIN 603-M8x60               | Screw DIN 603-M8x60              | 2  |                    |  |
| 41                           | 06493                                | SKT-Mutter BM8                          | Nut BM8                          | 2  |                    |  |
| 42                           | 14009                                | Gelenkspanngriff                        | Link mounting grip               | 2  |                    |  |
| 43                           | 14492                                | Rohrbügel EVO 42                        | Handle bar rod assy.             | 1  |                    |  |
| 44                           | 15079                                | Bremsbügel gep.                         | Brake rod                        | 1  |                    |  |
| 45                           | 14975                                | Stelltei Capro                          | Capro lever assy.                | 1  |                    |  |
| 46                           | 10953                                | Umlenkhalter                            | Cable guide                      | 1  |                    |  |
| 47                           | 08722                                | Lib-Schraube C                          | Screw Cable guide                | 1  |                    |  |
| 48                           | 15014                                | Starlock D=8 mit Kappe                  | Starlock D=8 with cap            | 2  |                    |  |
| 49                           | 15009                                | SK Schraube M6x60                       | SK Screw M6x60                   | 1  |                    |  |
| 50                           | 06839                                | Scheibe A6,4                            | Washer A6,4                      | 1  |                    |  |
| 51                           | 06683                                | Skt-Mutter M6                           | Nut M6                           | 1  |                    |  |

| 3/3                          |                                     | Benzin - EVOLUTION   |                                    |                        |
|------------------------------|-------------------------------------|--|------------------------------------|------------------------|
| 2006                         |                                     | Petrol - EVOLUTION   |                                    |                        |
| Rev070404                    |                                     | EVOLUTION de gazon   |                                    |                        |
|                              |                                     |  | 42 BM - Art. 61053                 |                        |
|                              |                                     |  |                                    |                        |
|                              |                                     | 2006   |                                    |                        |
| Bild Nr.<br>REF.N°<br>POS.N° | BEST.-NR.<br>PART-N°<br>N° d. PIECE | BEZEICHNUNG  | DESCRIPTION                        | Anzahl<br>Qty.<br>Qte. |
| 52                           | 15040                               | Kabelschutzhlauch 0,4m   | Cable guard tube 0,4m              | 1                      |
| 53                           | 14850                               | Kabelführung   | Cable guide                        | 1                      |
| 54                           | 14851                               | Kabelklemme  | Cable clamp                        | 1                      |
| 55                           | 14890                               | Höhenverstellhebel   | Height adjustment lever            | 1                      |
| 56                           | 14006                               | Höhenverstellgriff rts   | Height adjustment grip part right  | 1                      |
| 57                           | 14007                               | Höhenverstellgriff lks   | Height adjustment grip part left   | 1                      |
| 58                           | 09864                               | LIB-Schraube B4,2x19 DIN7981   | Screw B4,2x19 DIN7981              | 7                      |
| 59                           | 14014                               | Lagerstift   | Pin                                | 1                      |
| 60                           | 14015                               | Bolzen   | Bolt                               | 1                      |
| 61                           | 14321                               | Zugstange  | Tension rod                        | 2                      |
| 62                           | 14147                               | Bolzen   | Bolt                               | 2                      |
| 63                           | 14189                               | Starlock,Schnellbef.Ø6/399209  | Starlock 6                         | 2                      |
| 64                           | 14525                               | Starlock,Schnellbef Ø10/399415   | Starlock 10                        | 2                      |
| 65                           | 14013                               | Starlock,Schnellbef.Ø12/399417   | Starlock 12                        | 4                      |
| 66                           | 14910                               | Radachse kpl.vorne   | Front wheel axle cpl               | 1                      |
| 67                           | 12946                               | Laufgrad 172 kpl.  | Front wheel 172 assy.              | 2                      |
| 68                           | 14907                               | Radachse hinten  | Rear axle                          | 1                      |
| 69                           | 14911                               | Lagerschale  | Axle bearing case                  | 2                      |
| 70                           | 12989                               | Laufgrad 195 kpl.  | Rear Wheel 195 assy.               | 2                      |
| 71                           | 12947                               | Radkappe 172   | Wheel cap 172                      | 2                      |
| 72                           | 12952                               | Radkappe 195   | Wheel cap 195                      | 2                      |
| 73                           | 14081                               | Klemmteil zur Achse  | Axle plate                         | 2                      |
| 74-76                        | 14942                               | Fangkorb kpl.  | Gras catcher cpl.                  | 1                      |
| 76                           | 12970                               | Verbindunsklammer  | Clamp                              | 9                      |
| 77                           | 10268                               | LIB-Schraube 4,8x19  | Screw 4,8x19                       | 5                      |
| 78                           | 11264                               | Lib-Schraube 4,8x32  | Screw 4,8x32                       | 5                      |
| 79                           | 15107                               | Aufkleber zum Tankdeckel   | Sticker for fuel cap               | 1                      |
| 80                           | 06820                               | Lib-Schraube B4,2x13 DIN 7981  | Screw B4,2x13 DIN7981              | 1                      |
| 81                           | 14058                               | Sperrhebel 41  | Lock lever 41                      | 1                      |
|                              |                                     | Zubehör  | Accessories                        |                        |
| ZUB01                        | 14898                               | Gebrauchsanweisung 61053   | Instruction for use 61053          | 1                      |
| ZUB02                        | 14899                               | GAW Ergänzung 61053  | Instruction addendum 61053         | 1                      |
| ZUB03                        | 15099                               | Aufkleber "Funktion"   | Label "function"                   | 1                      |
| ZUB04                        | 06574                               | STECKSCHL DIN659 75LG SW19/21  | BOX SPANNER DIN659 75LG SW19/21    | 1                      |
| ZUB05                        | 06591                               | DREHSTIFT 5*100 DIN900 VERZ  | PIN DIN 900                        | 1                      |
| ZUB06                        | 76012                               | RASENMÄHER MOTOROEL SAE 30 (optional)  | ENGINE OIL BOTTLE SAE30 (optional) | 1                      |